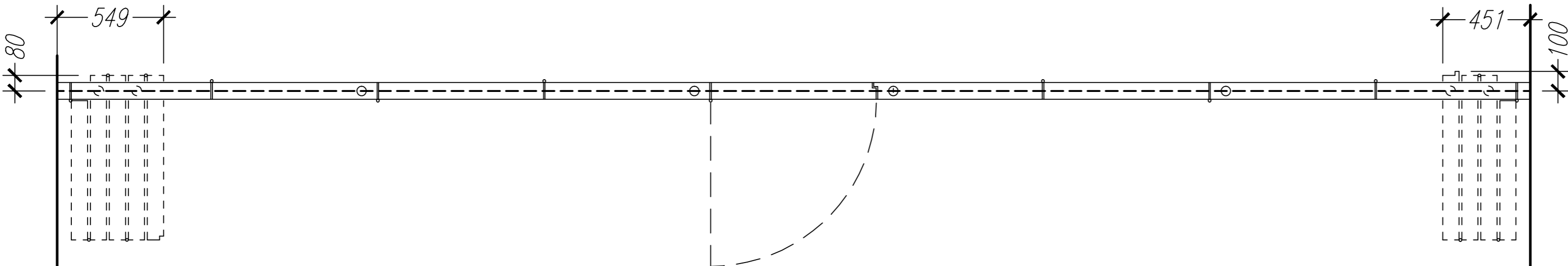
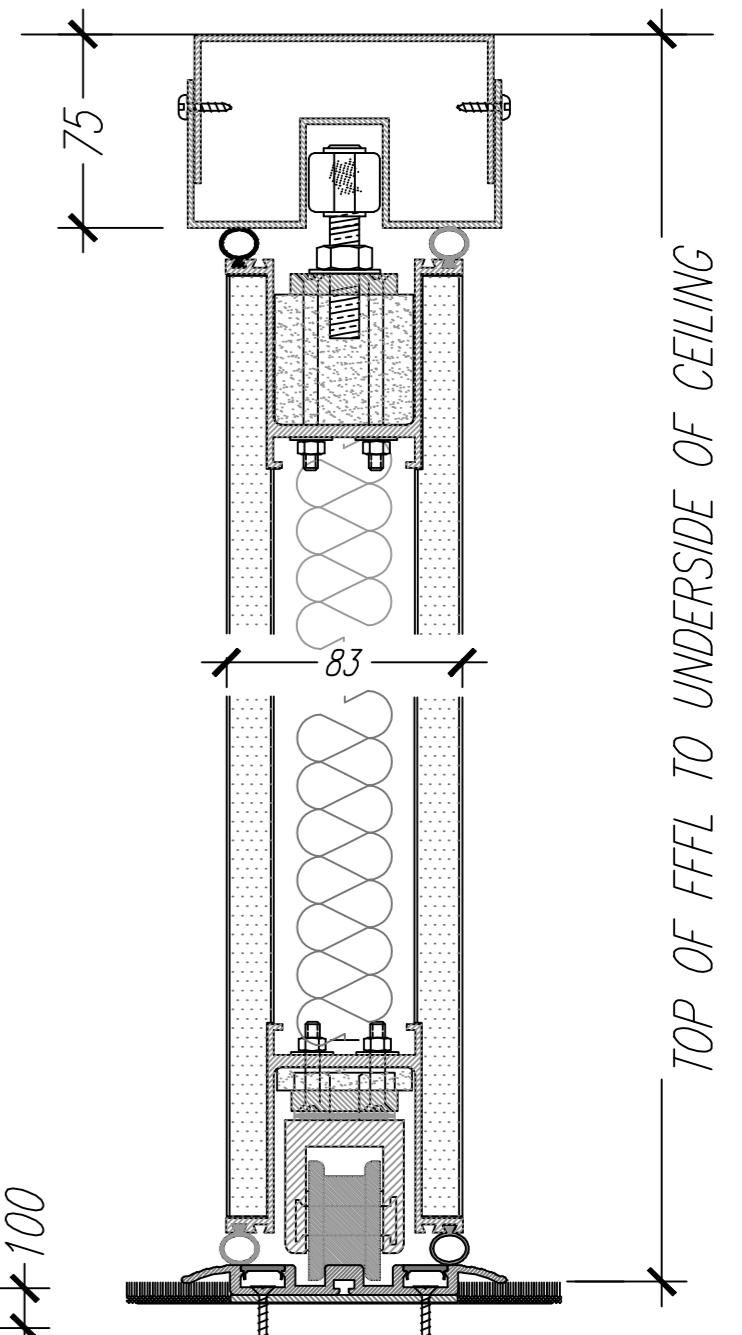


// NOMINAL 65 JAMB
NOMINAL 65 JAMB //
----- WIDTH -----



No. SETS:	TYPE: <i>5 + 4 Endfold</i>	dB:	
FINISH:			Client:
PROFILES:			Site:
SUSPENSION: <i>BOTTOM ROLLING</i>	Scale: <i>n.t.s</i>	Date:	Job No: Drg No: