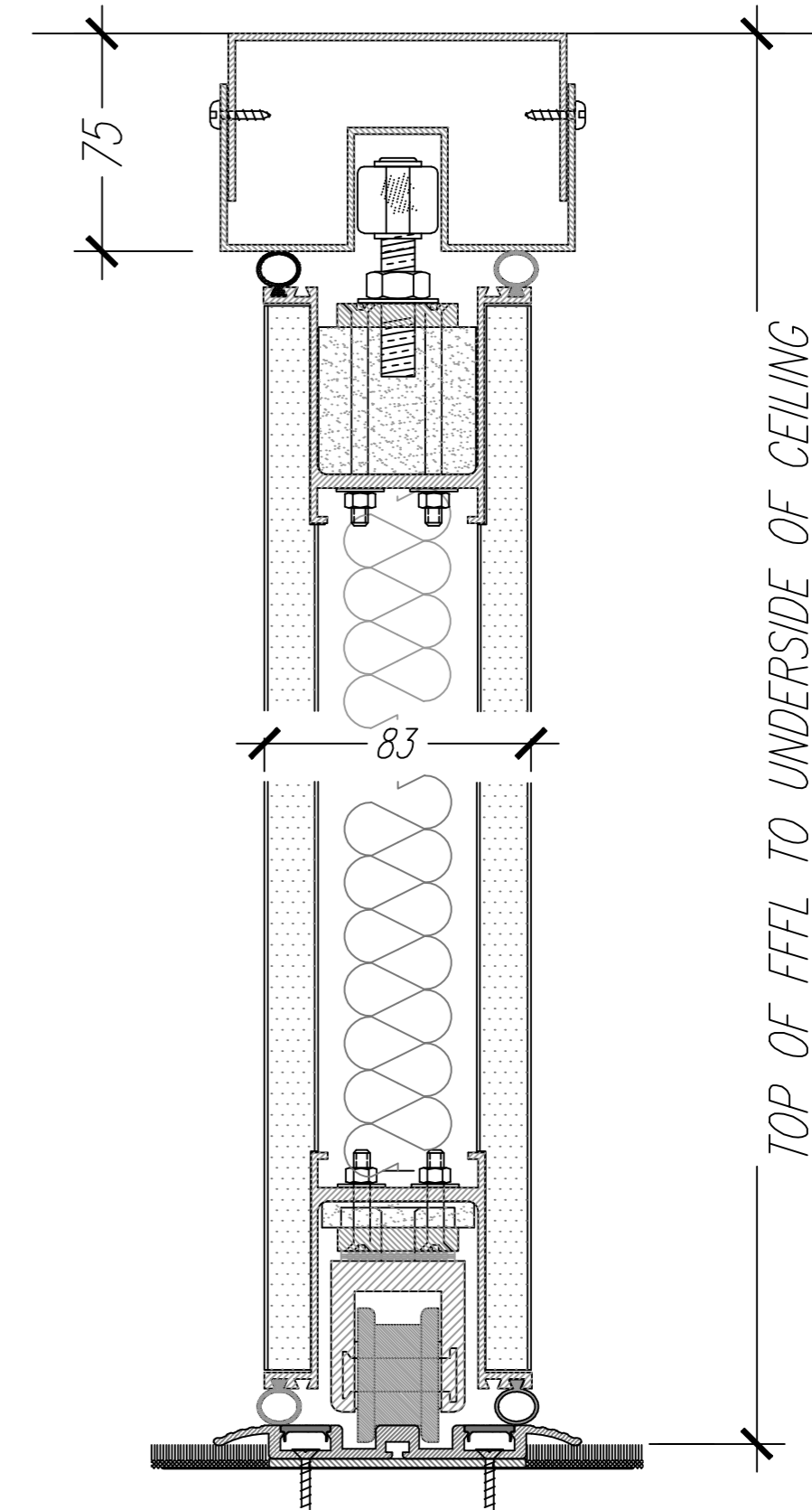
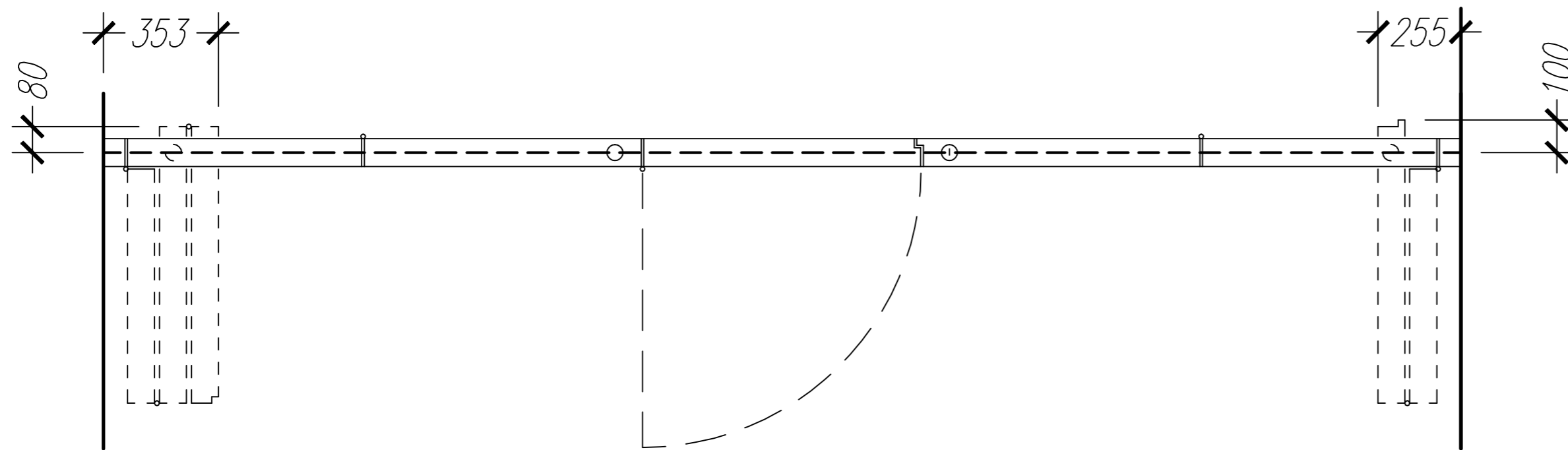


// NOMINAL 65 JAMB
NOMINAL 65 JAMB //
----- WIDTH -----



No. SETS:	TYPE: <i>2 + 3 Endfold</i>	dB:	
FINISH:			
PROFILES:			
SUSPENSION: <i>BOTTOM ROLLING</i>	Scale: <i>n.t.s</i>	Date:	Client: Site: Job No: Drg No: