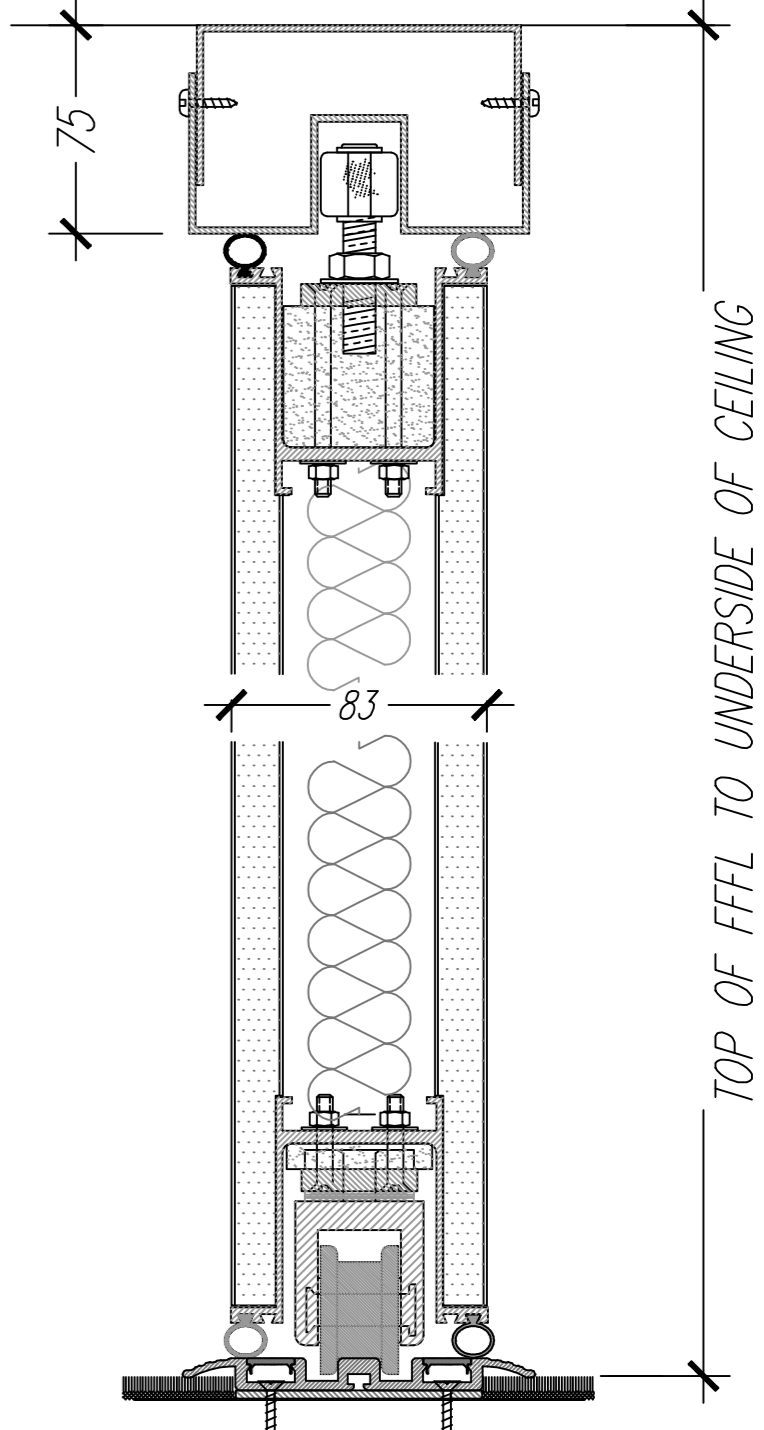
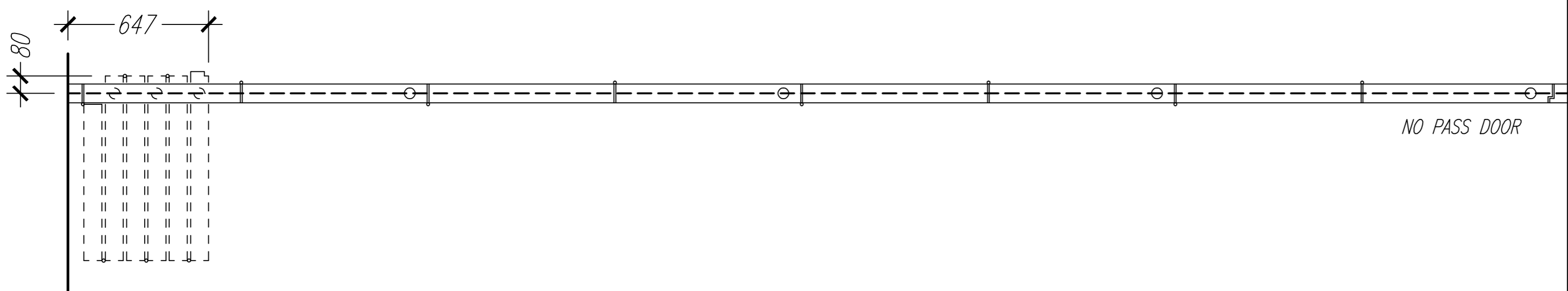


NOMINAL 65 JAMB WIDTH NOMINAL 65 JAMB



TOP OF FFFL TO UNDERSIDE OF CEILING



No. SETS:	TYPE: <i>8 Endfold</i>	dB:		Client:
FINISH:				Site:
PROFILES:				Job No:
SUSPENSION: <i>BOTTOM ROLLING</i>	Scale: <i>n.t.s</i>	Date:		Drg No: