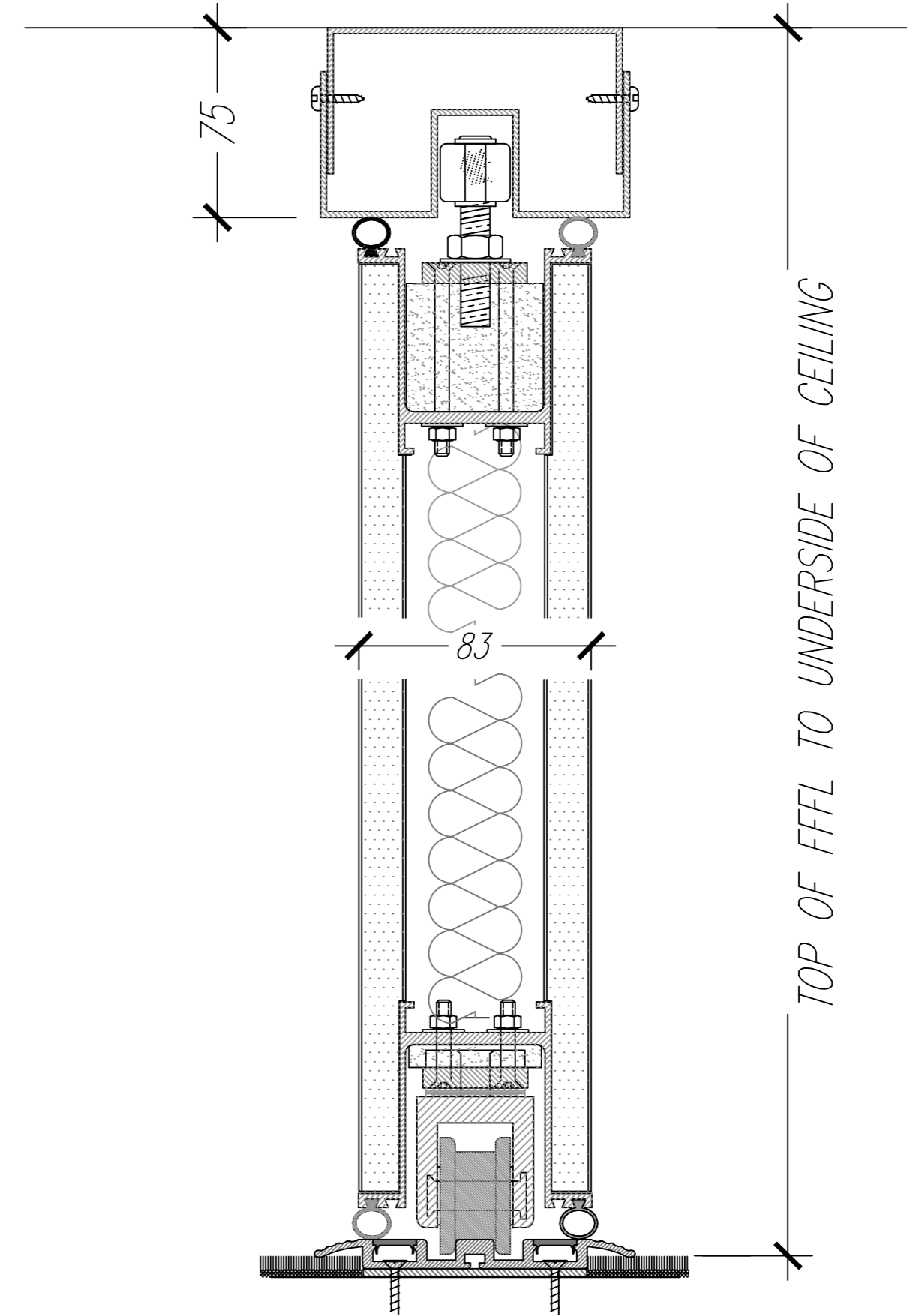
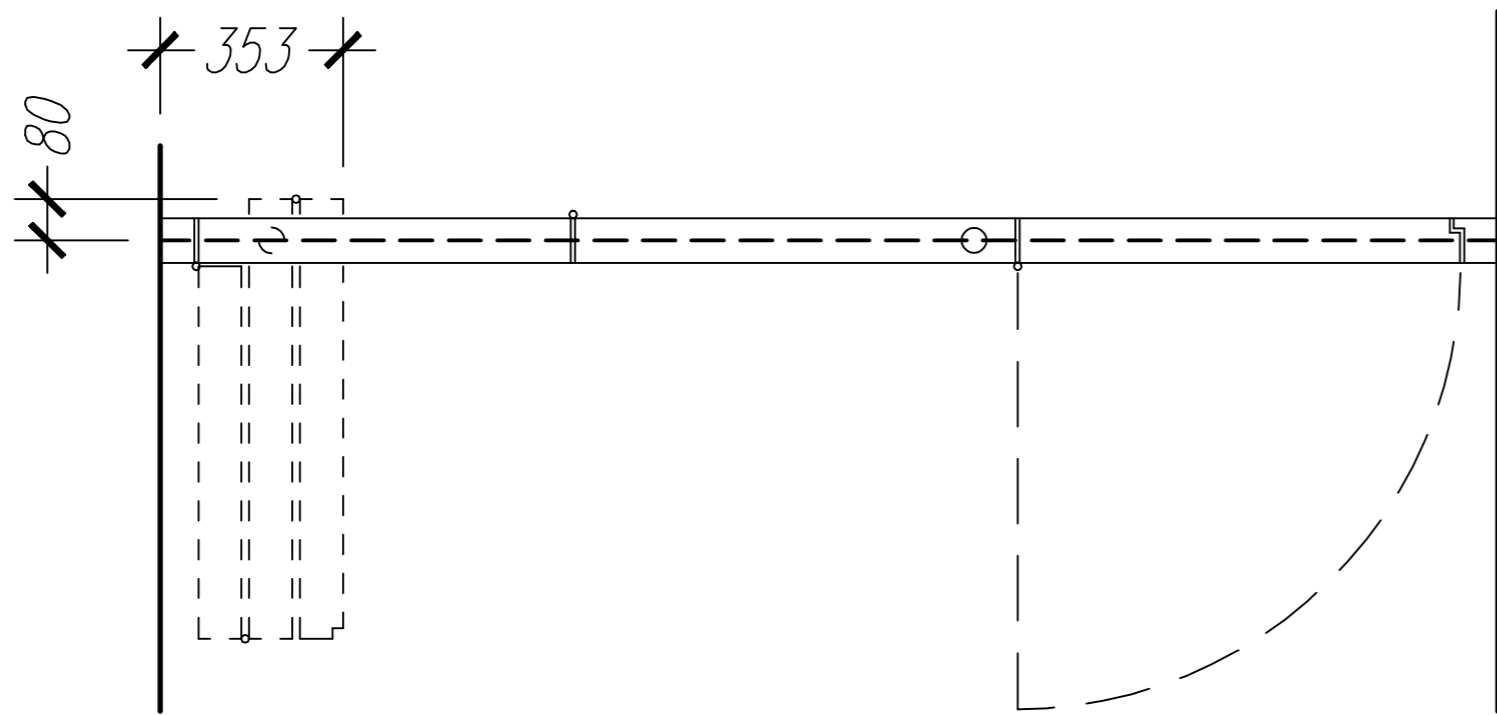


// NOMINAL 65 JAMB                      NOMINAL 65 JAMB //  
 /----- WIDTH ----- /



No. SETS:	TYPE: <i>3 Endfold</i>	dB:		Client:
FINISH:				Site:
PROFILES:				Job No:
SUSPENSION: <i>BOTTOM ROLLING</i>	Scale: <i>n.t.s</i>	Date:		