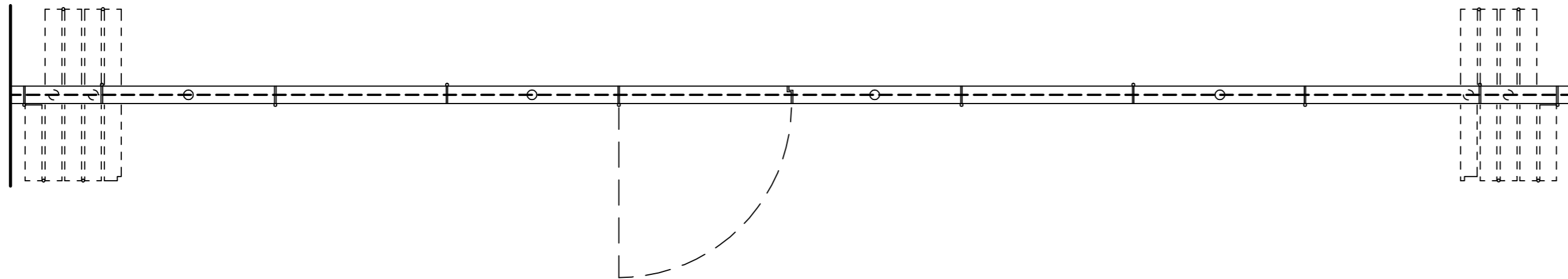


✂ NOMINAL 65 JAMB ✂

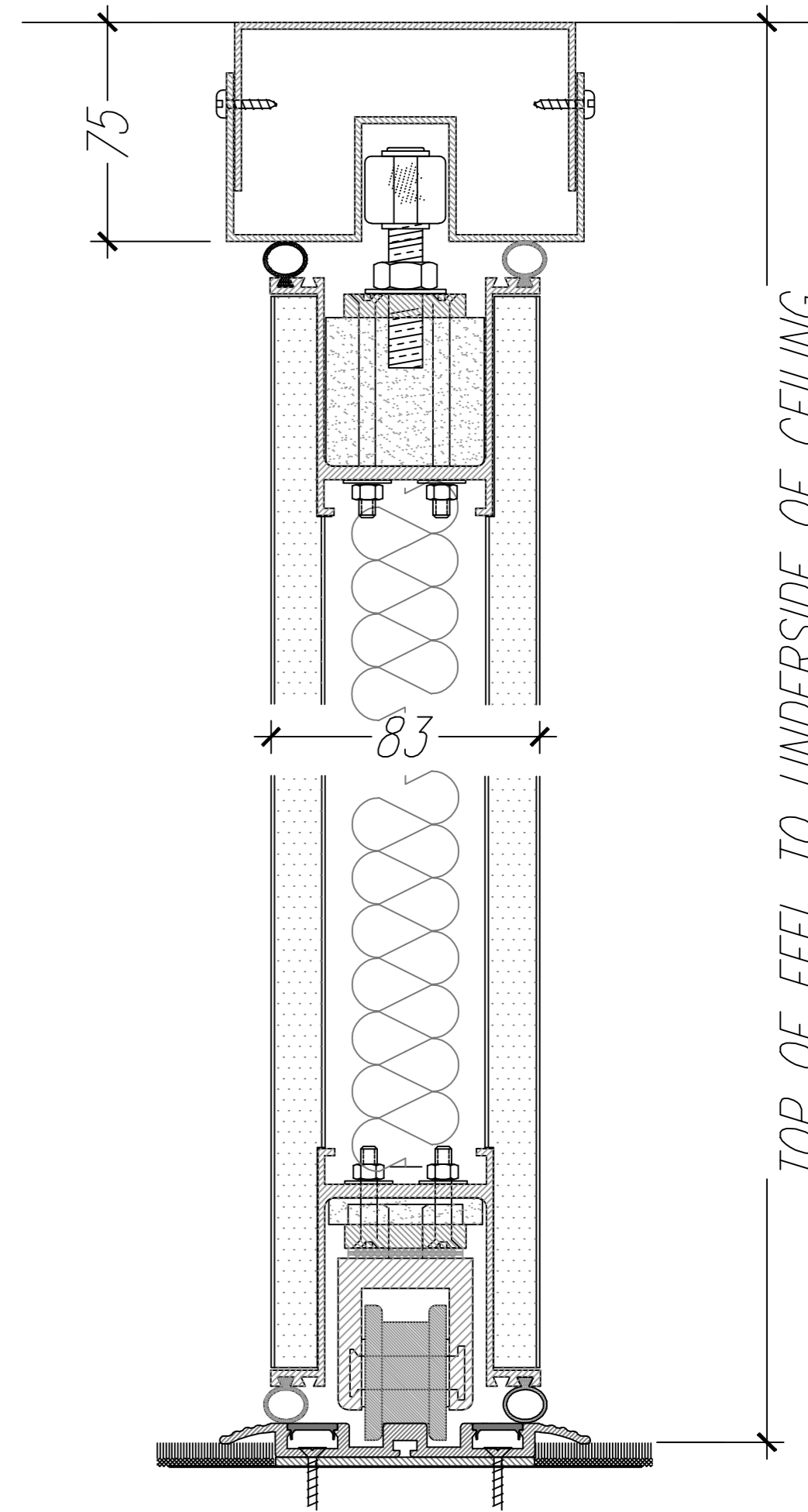
WIDTH

NOMINAL 65 JAMB ✂

✂ 549 ✂



✂ 549 ✂



No. SETS:	TYPE: $4\frac{1}{2} + 4\frac{1}{2}$ Centrefold	dB:	Client:	
FINISH:				Site:
PROFILES:				Job No:
SUSPENSION: <i>BOTTOM ROLLING</i>	Scale: <i>n.t.s</i>	Date:	Drg No:	