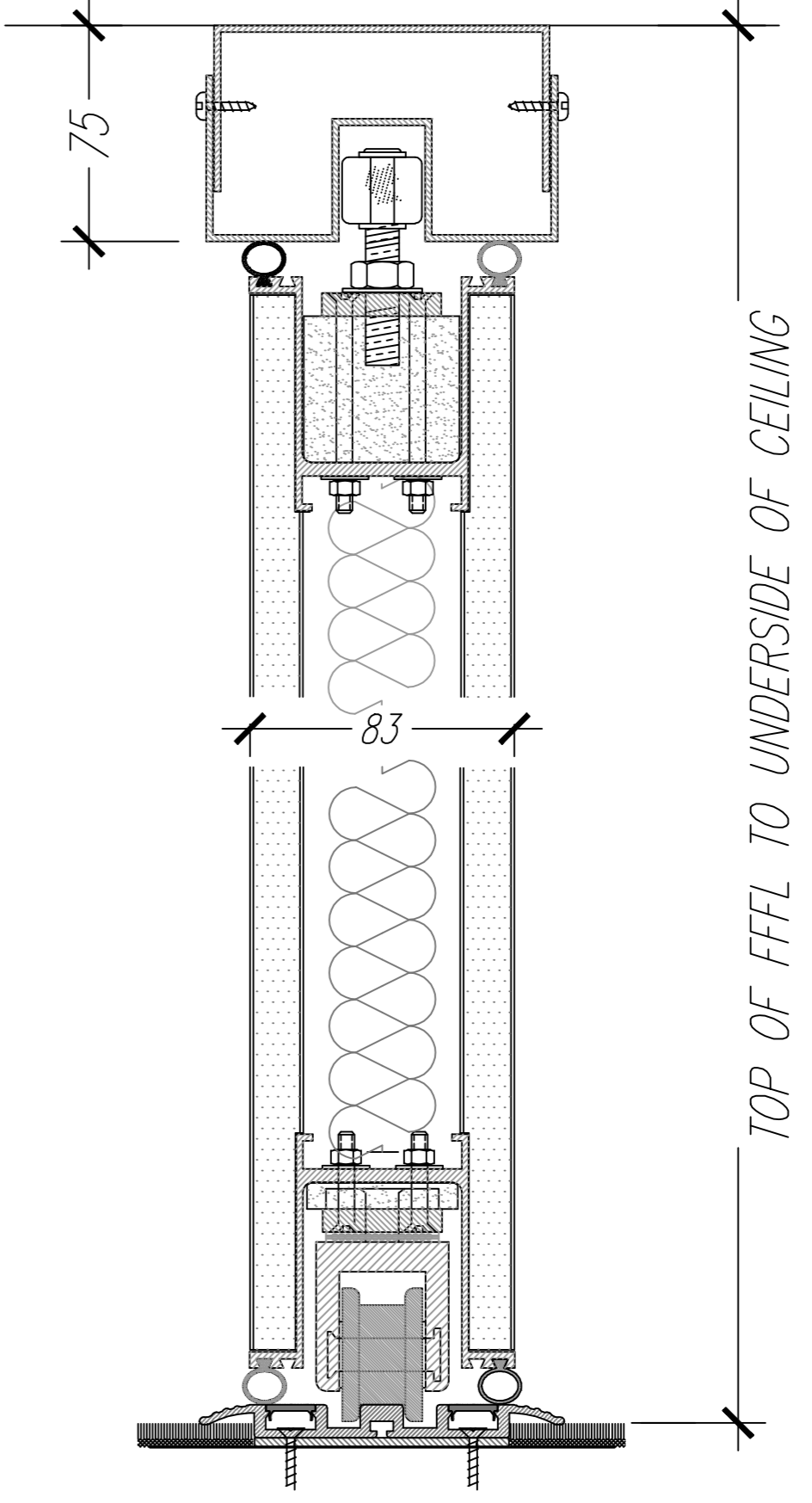
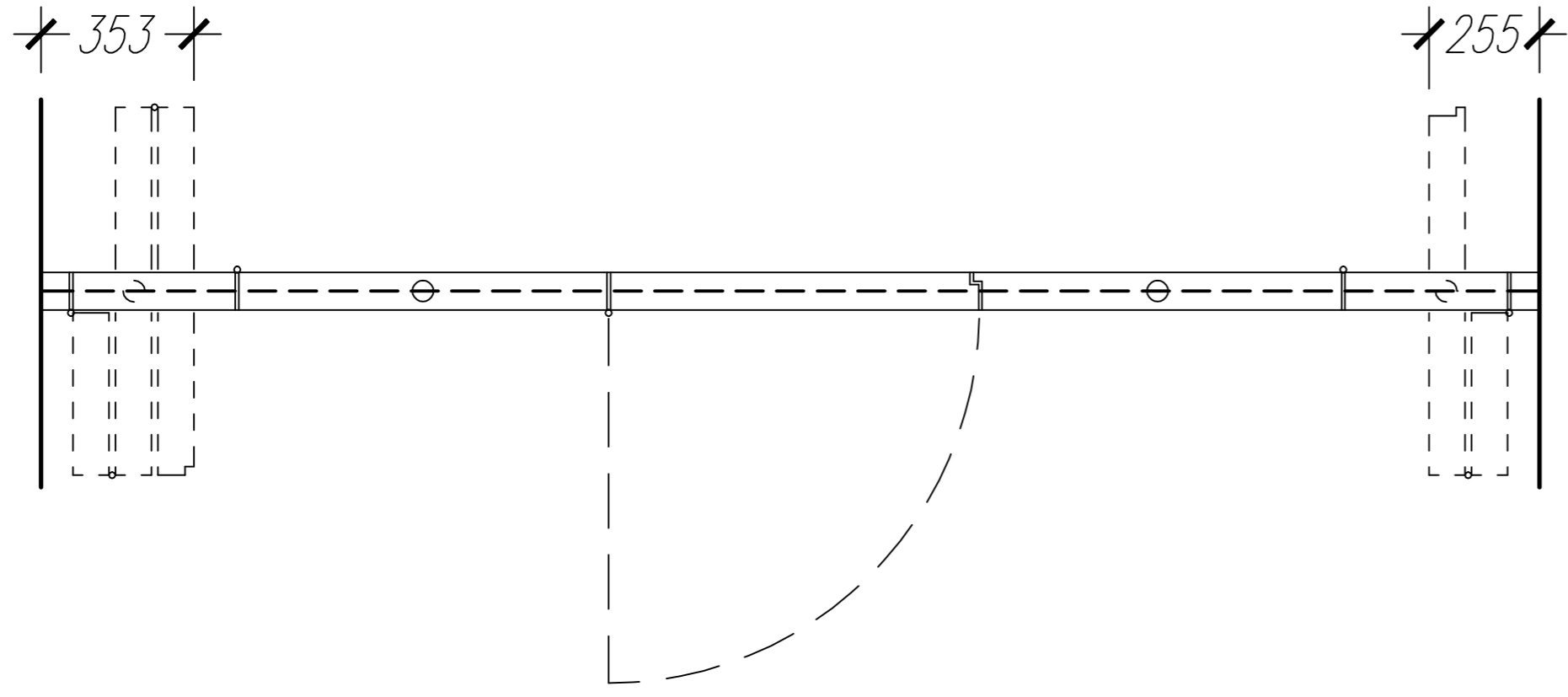


// NOMINAL 65 JAMB
NOMINAL 65 JAMB //
 WIDTH



No. SETS:	TYPE: $2\frac{1}{2} + 1\frac{1}{2}$ Centrefold	dB:	
FINISH:			Client:
PROFILES:			Site:
SUSPENSION: <i>BOTTOM ROLLING</i>	Scale: <i>n.t.s</i>	Date:	Job No: Drg No: