

BOLT
ESCUTCHEON

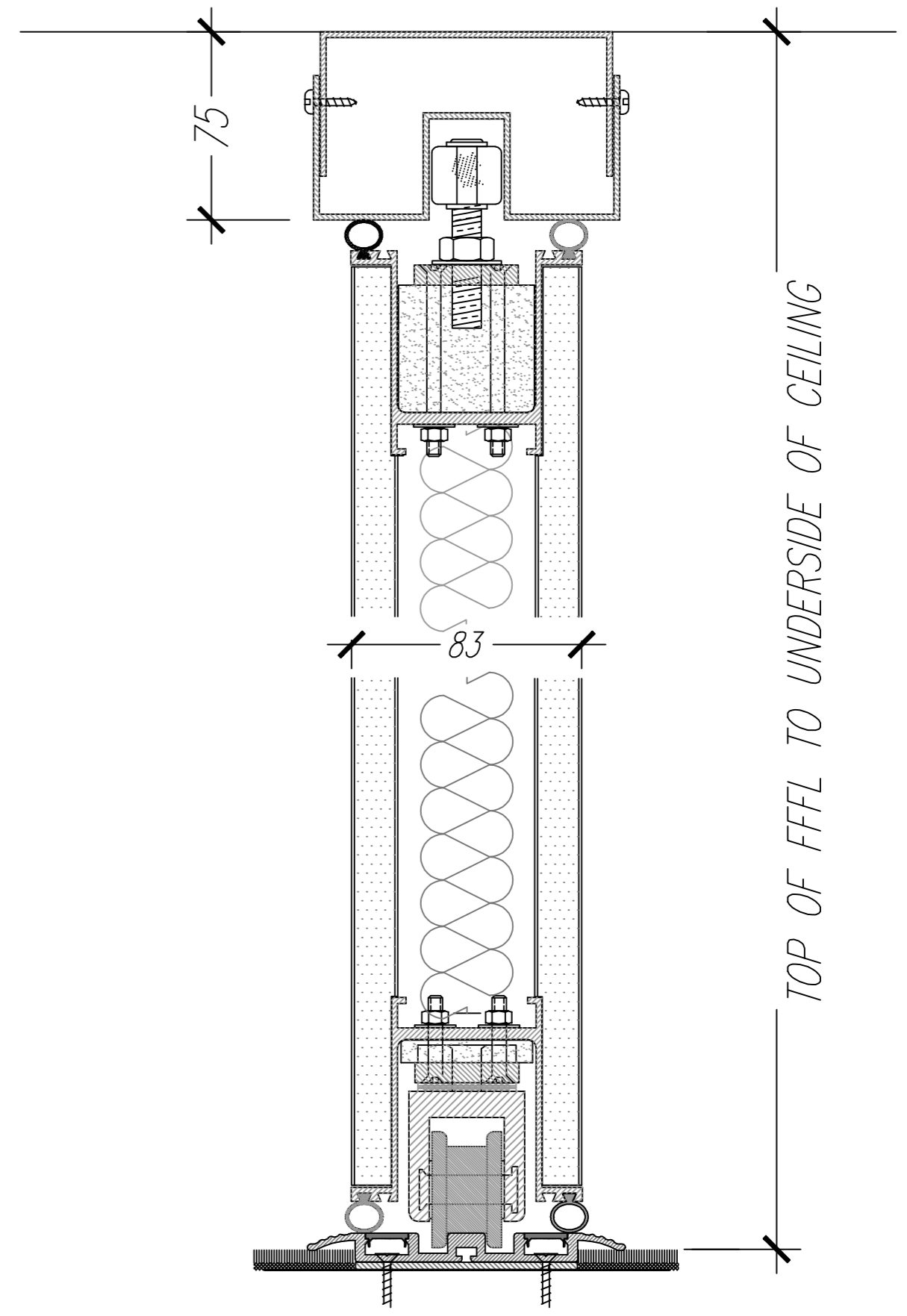
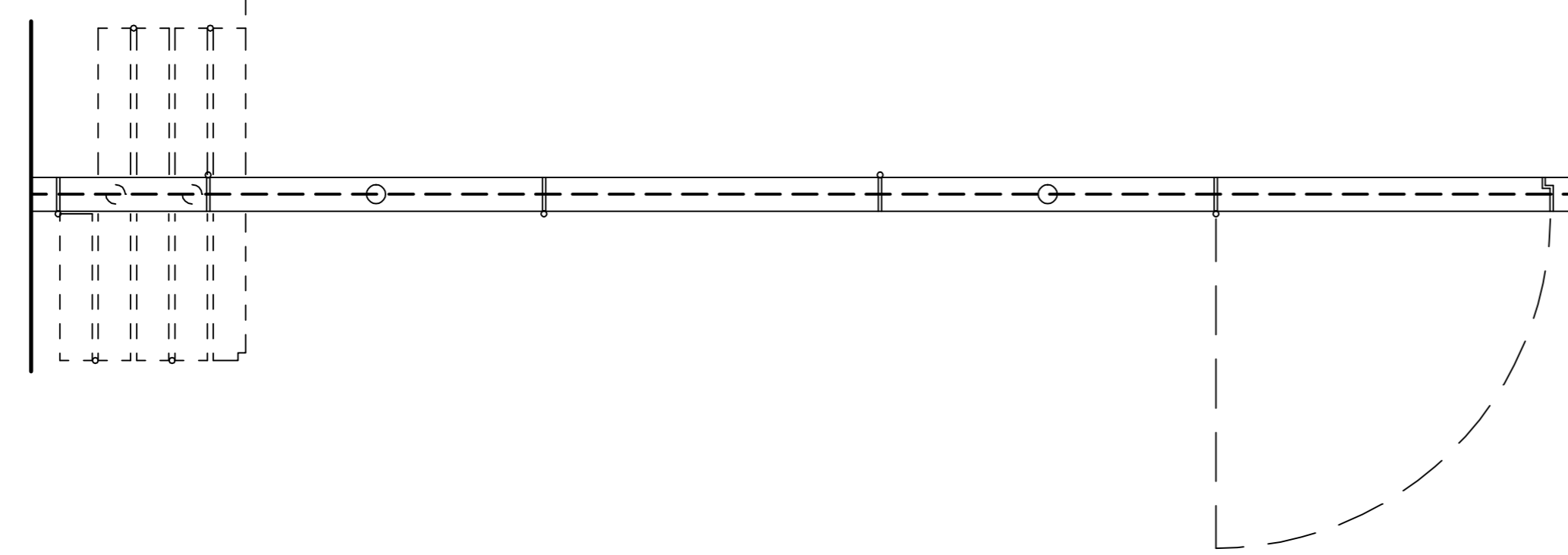
S.A.A FLUSH RING
HANDLES AND
LATCH

NOMINAL 65 JAMB

NOMINAL 65 JAMB

WIDTH

549



TOP OF FFL TO UNDERSIDE OF CEILING

No. SETS:	TYPE: <i>4 1/2 Centrefold</i>	dB:	Client:	
FINISH:				Site:
PROFILES:				Job No:
SUSPENSION: <i>BOTTOM ROLLING</i>	Scale: <i>n.t.s</i>	Date:		