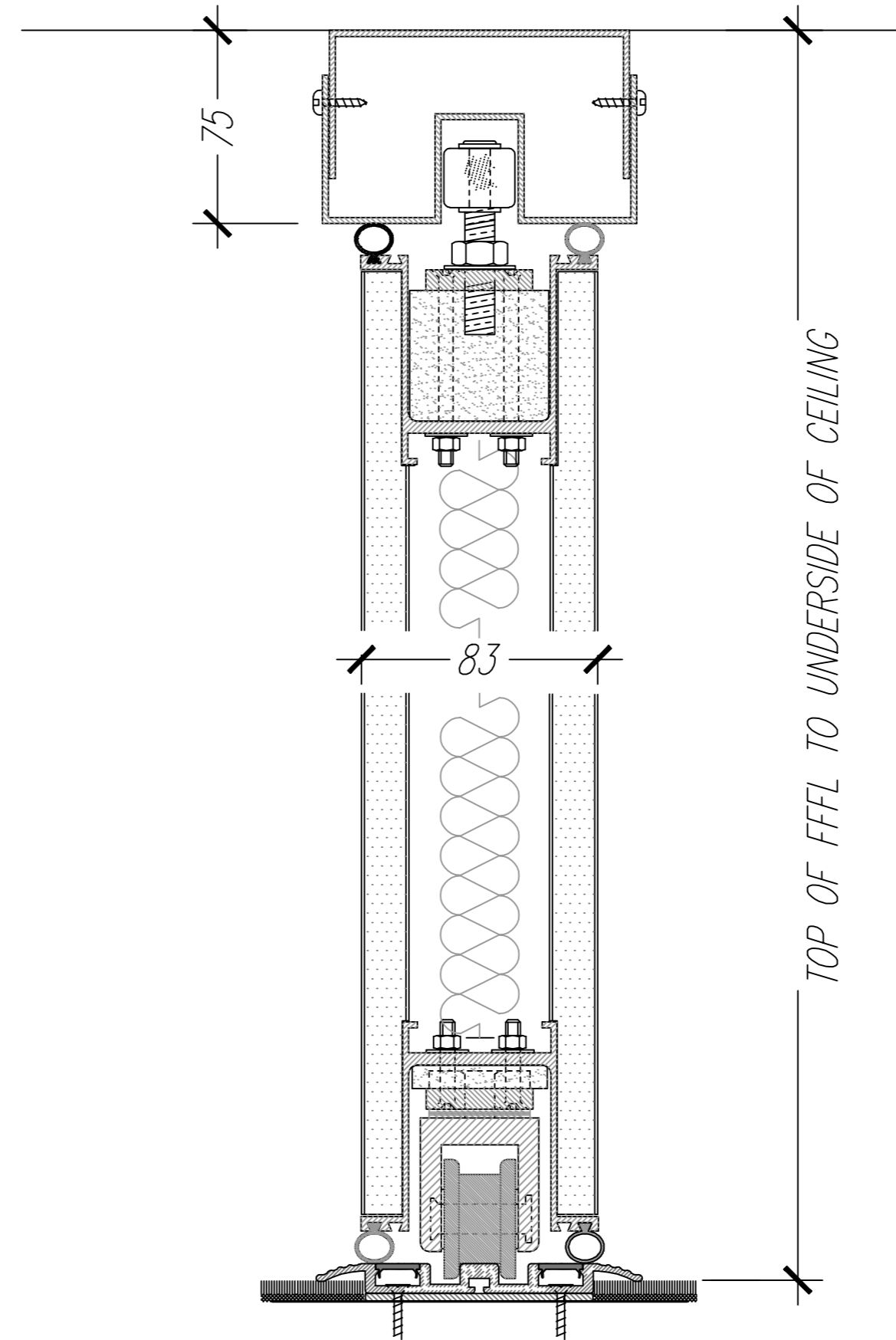
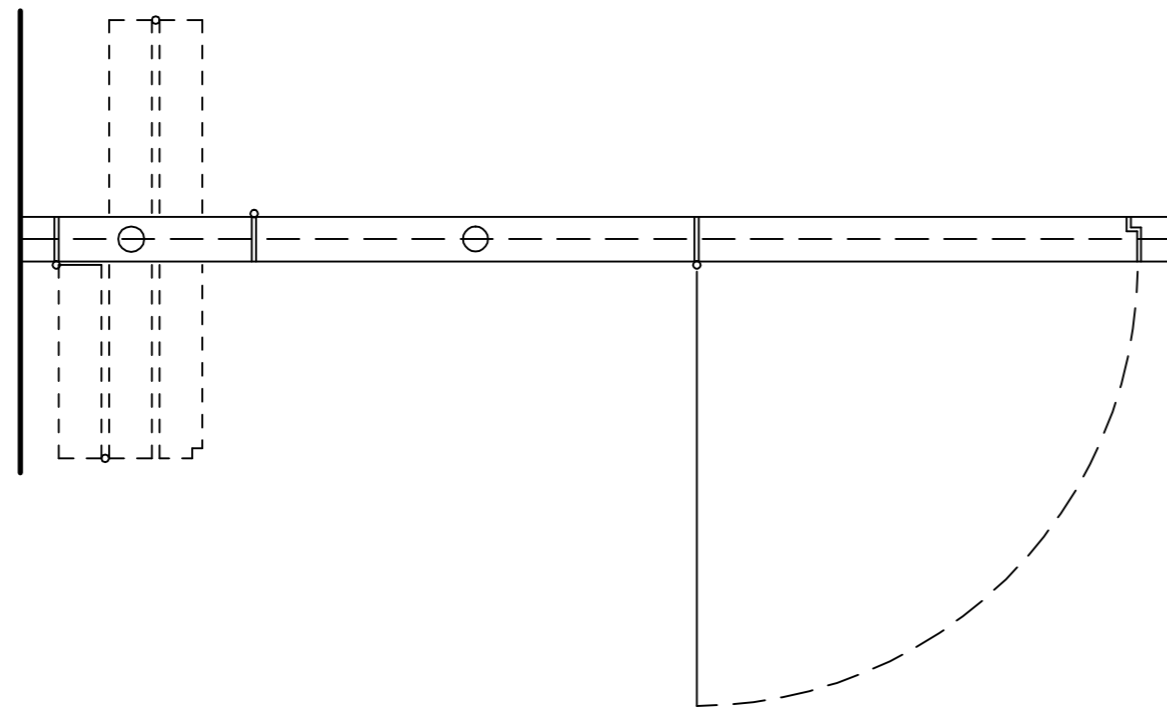


NOMINAL 65 JAMB NOMINAL 65 JAMB

WIDTH

353



No. SETS:	TYPE: <i>2½ Centrefold</i>	dB:	Client:	
FINISH:				Site:
PROFILES:				Job No:
SUSPENSION: <i>BOTTOM ROLLING</i>	Scale: <i>n.t.s</i>	Date:	Drg No:	