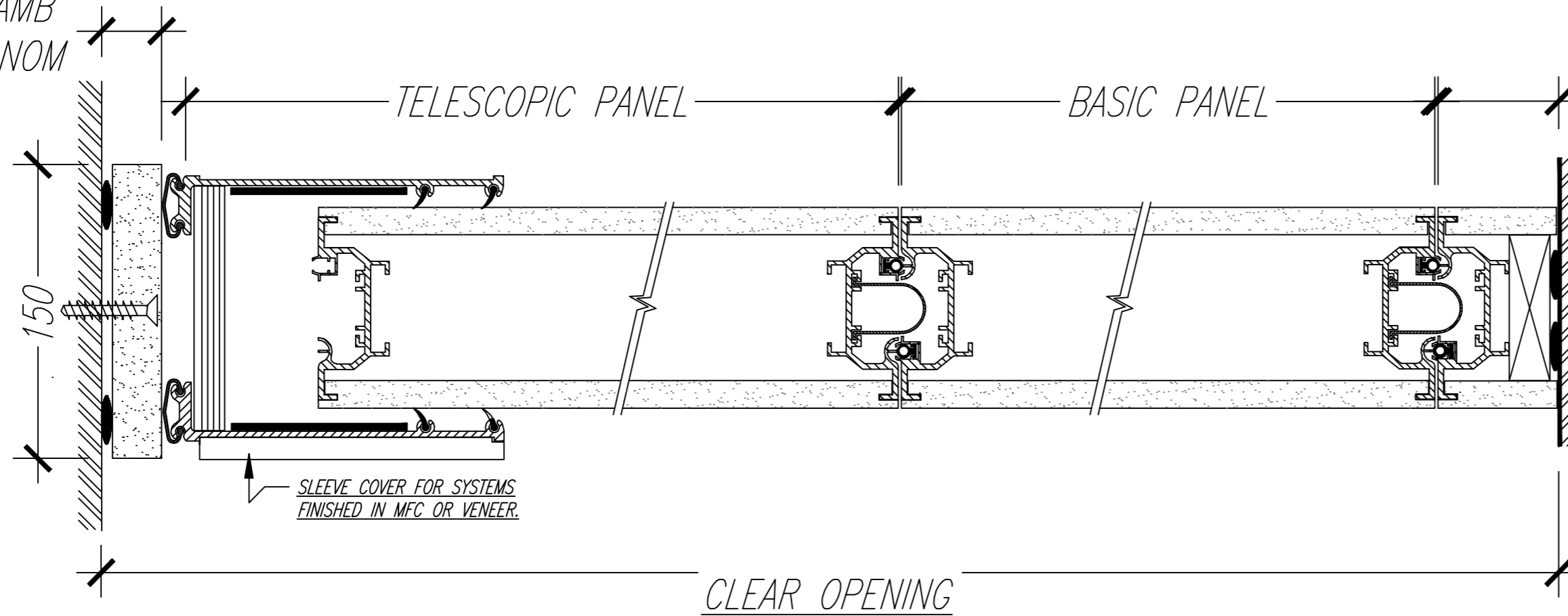
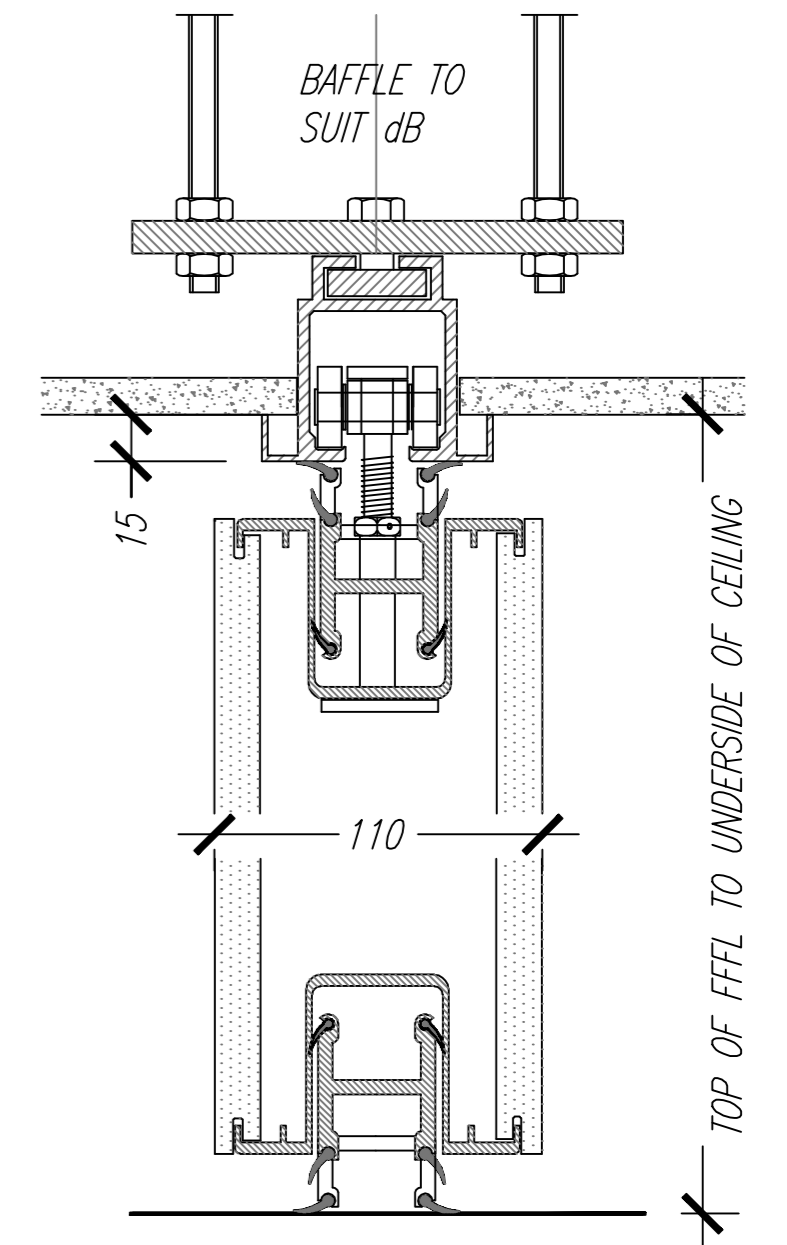


TELE JAMB
25mm NOM



BASIC JAMB
65mm NOM



No. SETS:	TYPE:	dB:		Client:
FINISH:				Site:
PROFILES:				Job No:
SUSPENSION: <i>ONE POINT STACKING</i>	Scale: <i>n.t.s</i>	Date:		Drg No: