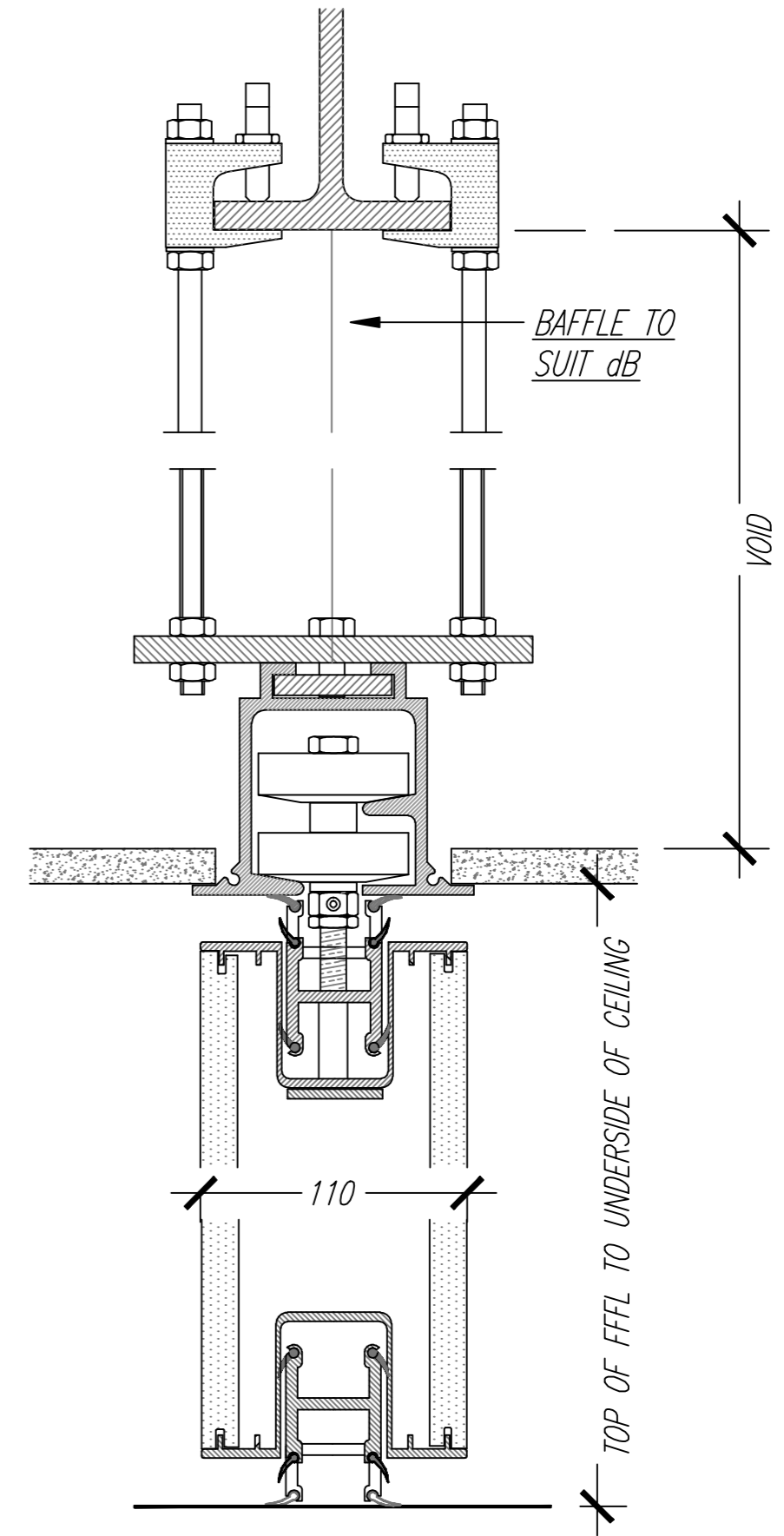
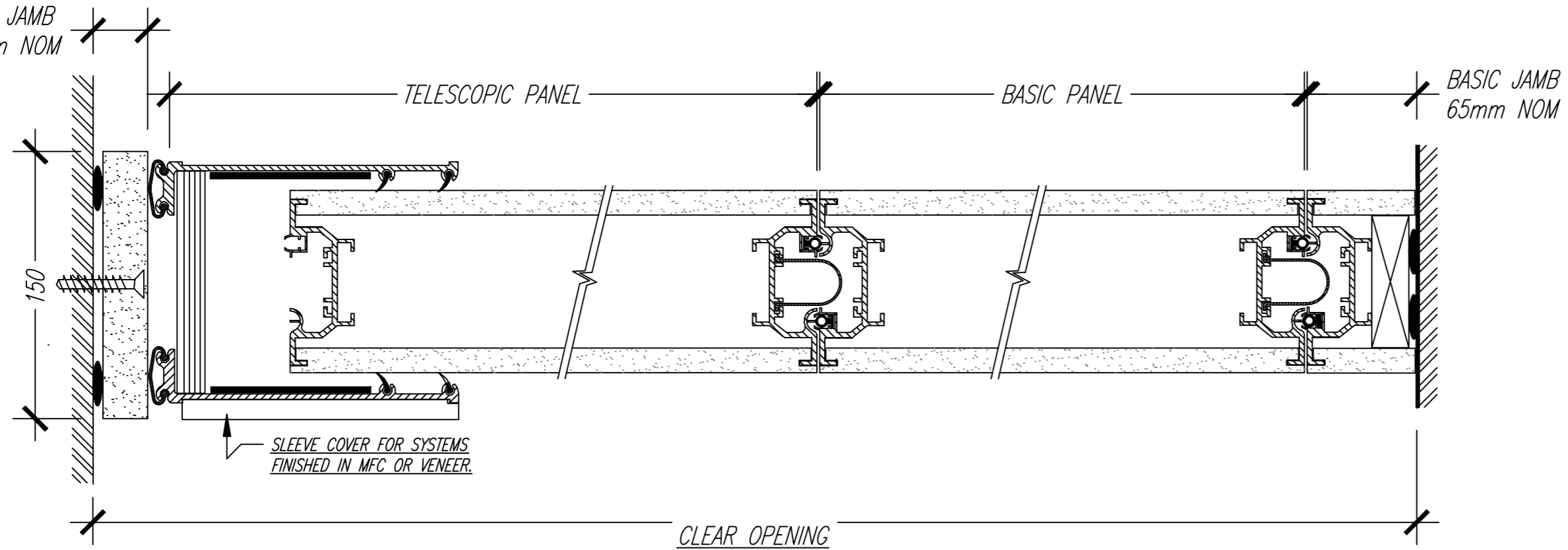


TELE JAMB
25mm NOM



No. SETS:	TYPE:	dB:		Client:
FINISH:				Site:
PROFILES:				Job No:
SUSPENSION:	TWO POINT FIXING TO STEEL (CLAMPED)	Scale: n.t.s	Date:	