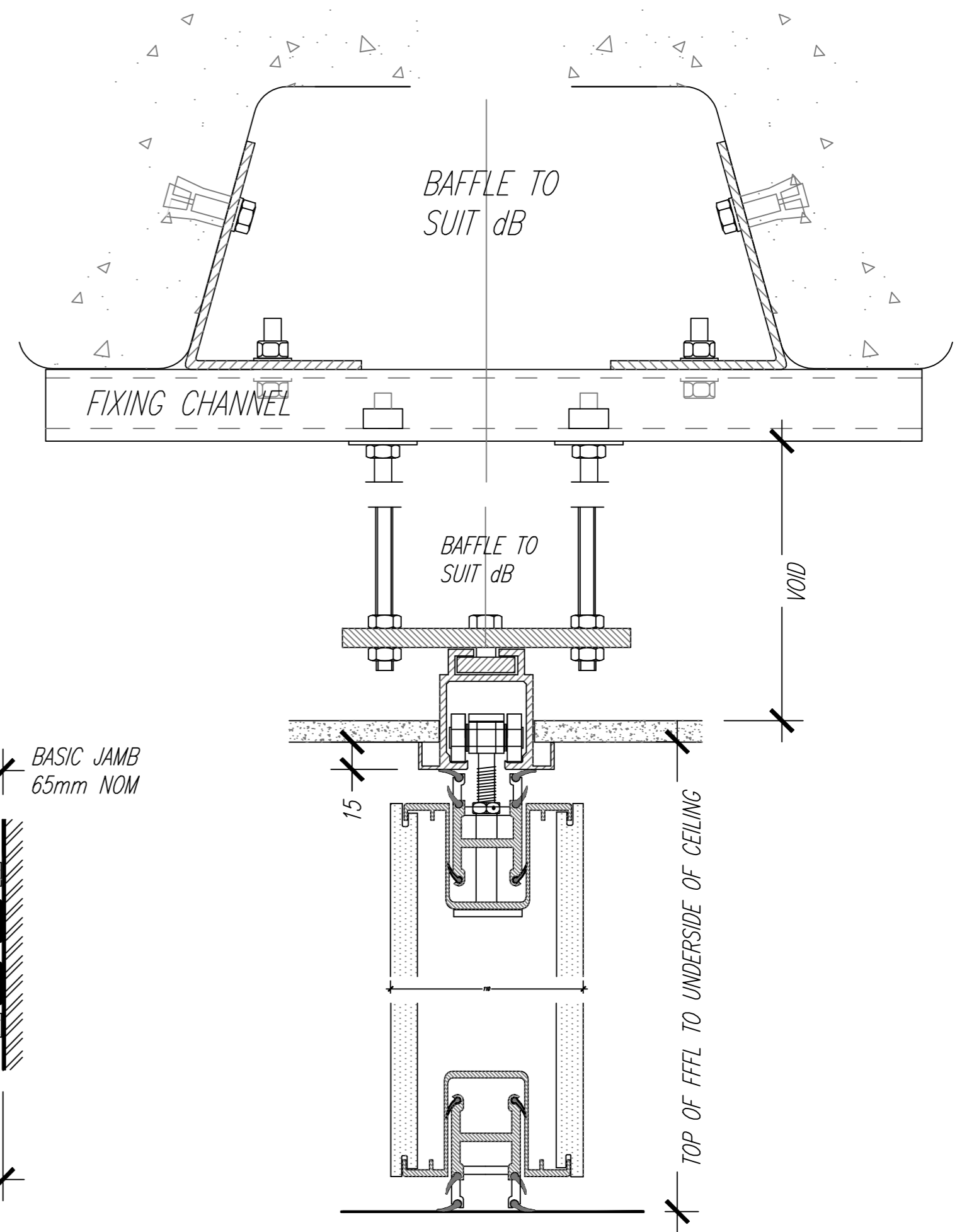
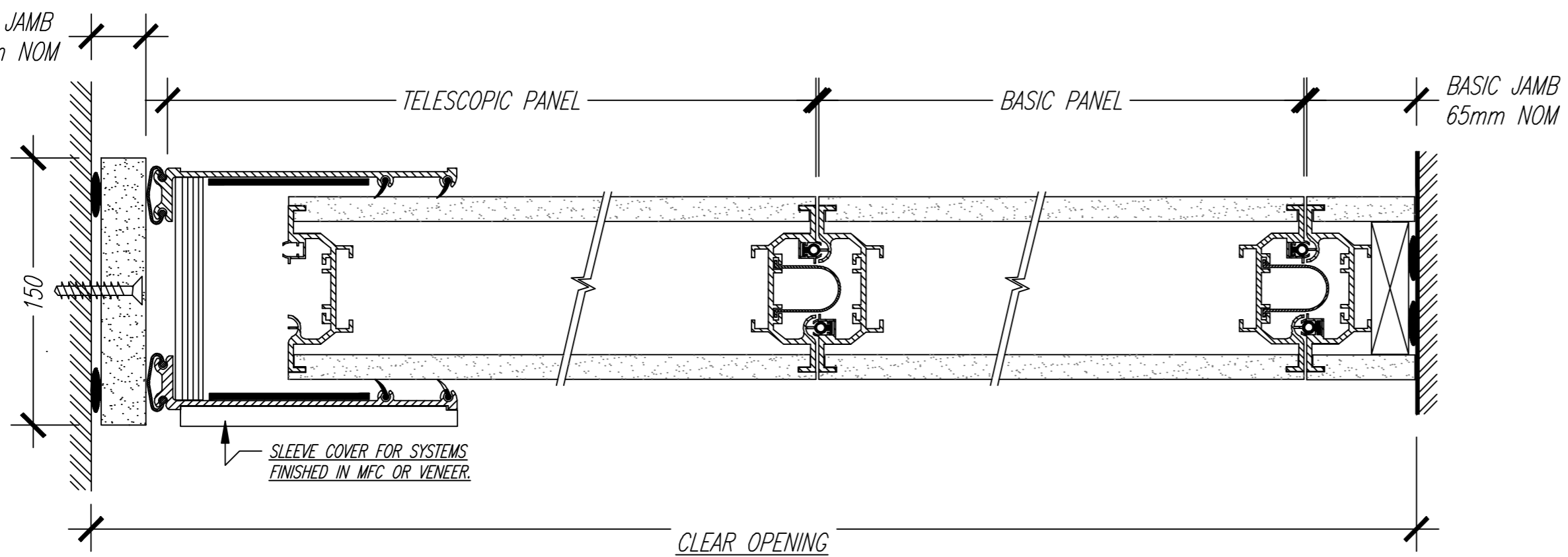


TELE JAMB
25mm NOM



No. SETS:	TYPE:	dB:		Client:
FINISH:				Site:
PROFILES:				Job No:
SUSPENSION:	TWO POINT FIXING TO COFFER	Scale: <i>n.t.s</i>	Date:	