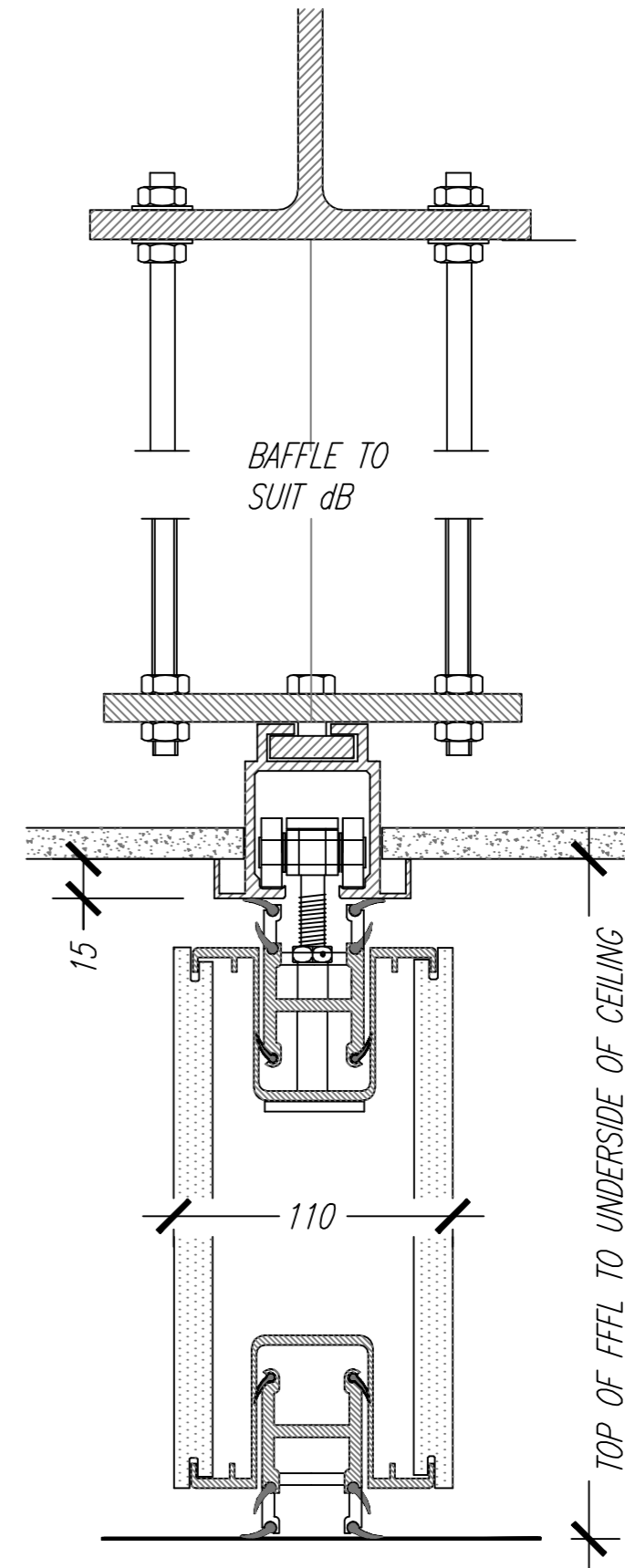
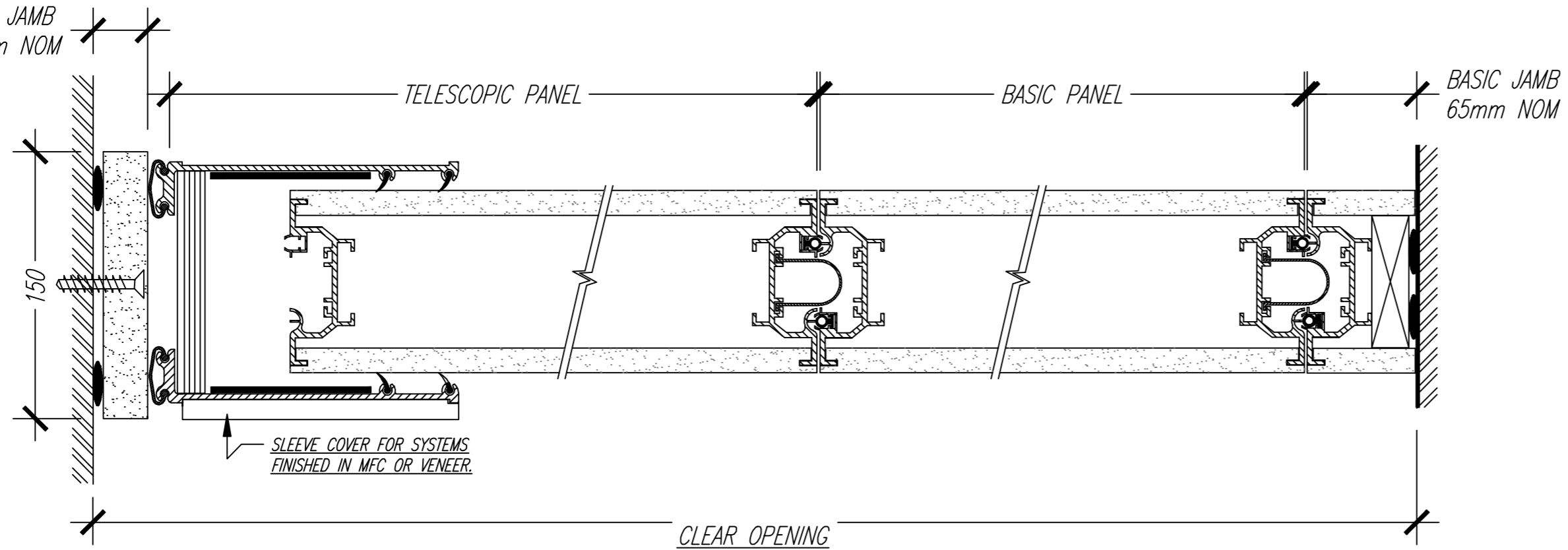


TELE JAMB
25mm NOM



No. SETS:	TYPE:	dB:		Client:	
FINISH:				Site:	
PROFILES:				Job No:	Drq No:
SUSPENSION: ONE POINT FIXING TO STEEL	Scale: n.t.s	Date:			