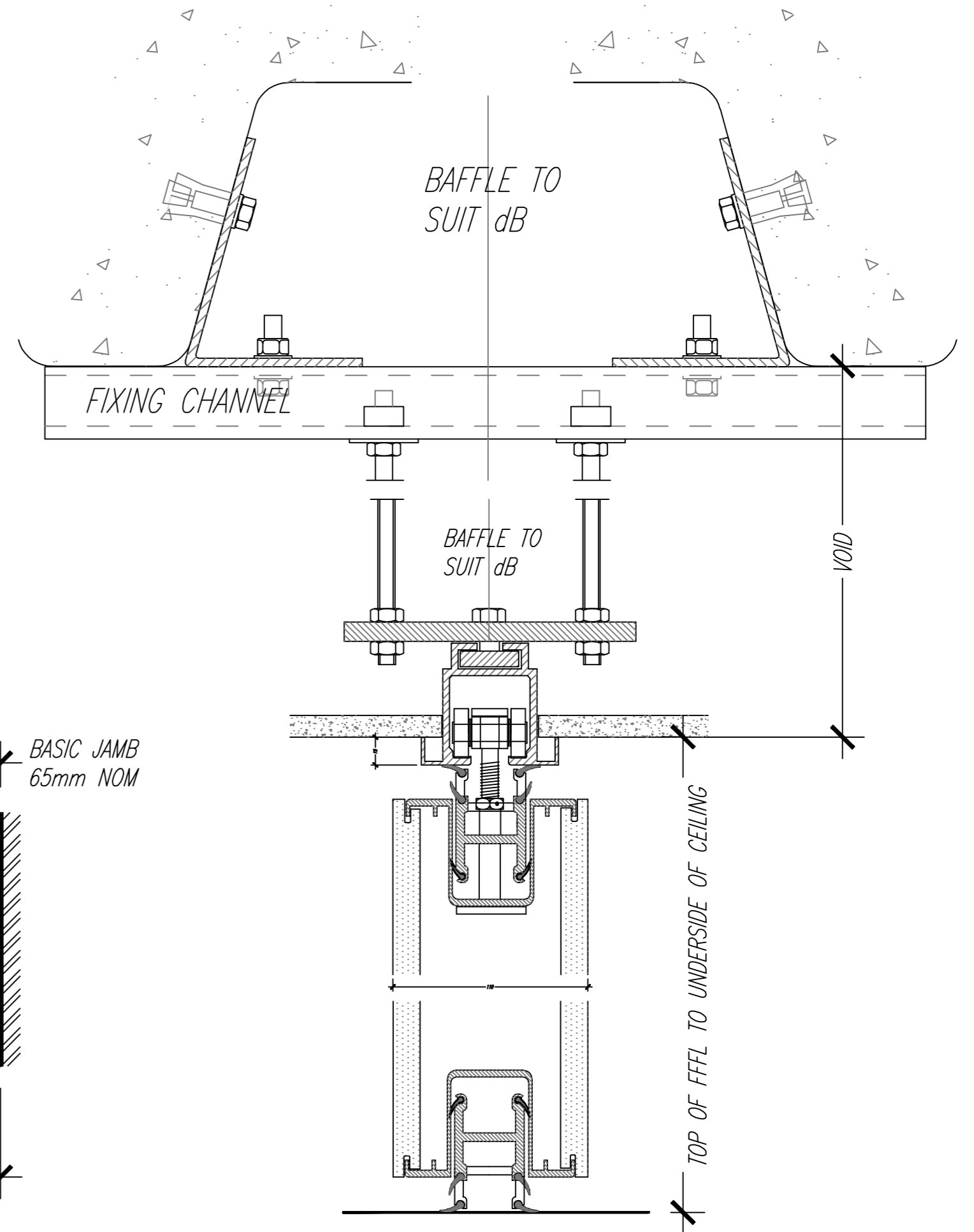
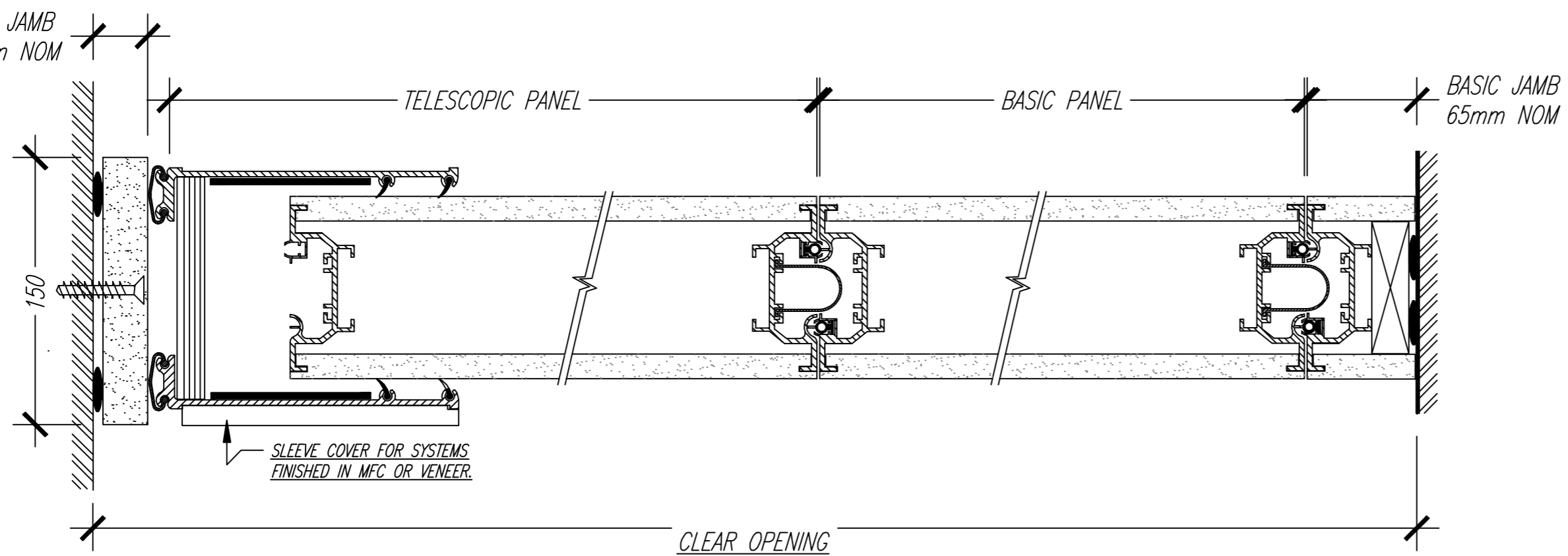


TELE JAMB
25mm NOM



No. SETS:	TYPE:	dB:	Client:	
FINISH:				Site:
PROFILES:				
SUSPENSION: ONE POINT FIXING TO COFFER	Scale: n.t.s	Date:		Job No: Drg No: